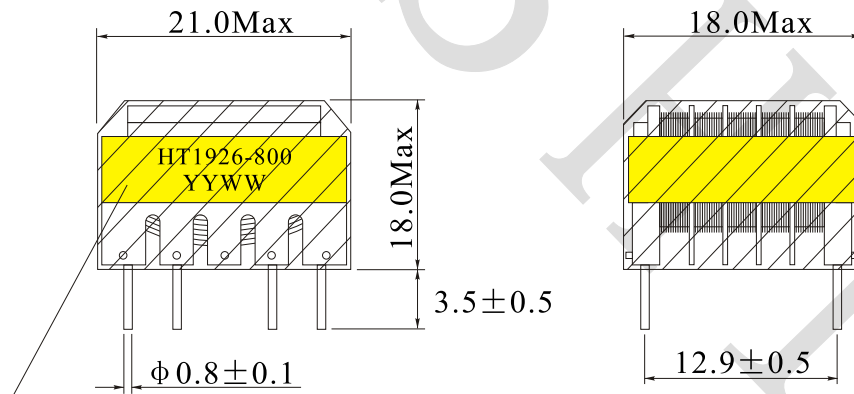
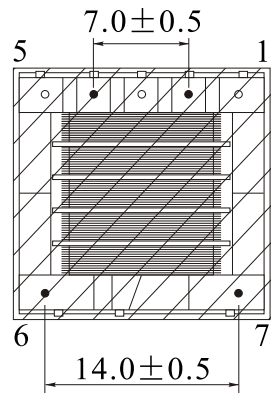


Rev.	Description	Date
A0	New release	2022.06.28

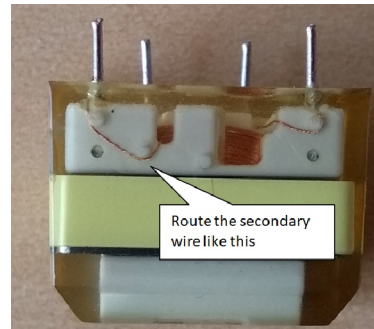
1. PHYSICAL CHARACTERISTICS (mm)



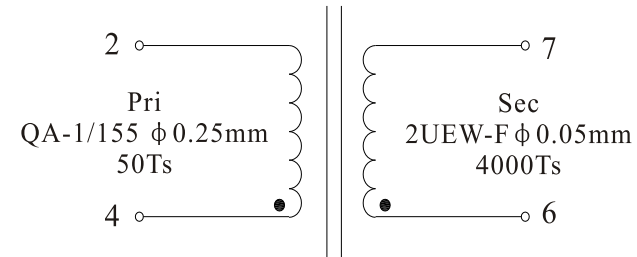
Mark label before encapsulation



Note: Secondary correct output mode



2. ELECTRONICAL SCHEMATIC



3. ELECTRONICAL SPECIFICATIONS

Turns ratio: Pri : Sec=1:80

Inductance(2-4): 190uH ± 20%@10KHz,0.1V

Inductance(7-6): 960mH ± 20%@10KHz,0.1V

Operating temperature: -25°C to 85°C

NOTES:

Temp 20°C 48%RH
RoHS Compliant

NEME:	High voltage transformers		
CUSTOMER P/N:		DATE:	2022-06-28
SHINHOM P/N:	HT1926-800	REV: A0	PAGE
DRAWN BY	CHECKED BY	APPROVE BY	