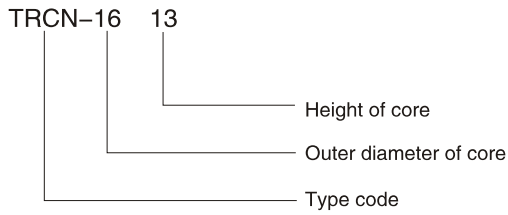
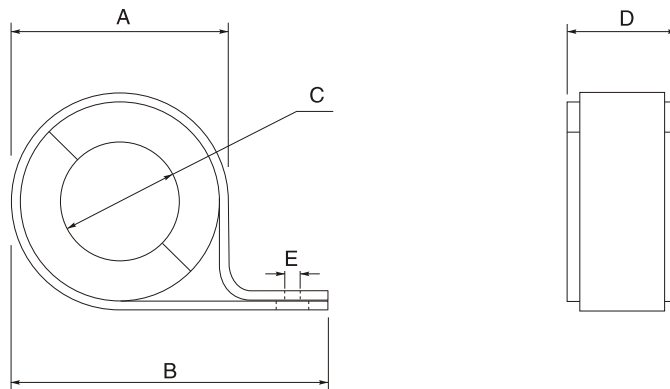


CLIP-ON CORE(TRCN)

Ordering code



CONFIGURATIONS(mm)



DIMENSION OF MAIN PRODUCTIONS & IMPEDANCE@25°C

Part No.	A	B	φ C	D	φ E	IMPEDANCE(1Ts)		IMPEDANCE(2Ts)	
						25MHz(Ω)	100MHz(Ω)	25MHz(Ω)	100MHz(Ω)
TRCN-1613	19.4	30.2	8	13.0	4.3	45	110	160	370
TRCN-1616	19.4	30.2	8	16.0	4.3	50	150	180	500
TRCN-2010	25.7	38.2	10	10.0	5.1	45	80	140	280
TRCN-2314	26.8	39.4	11.4	14.0	5.1	40	100	140	350
TRCN-2813	32.8	45.0	16.4	13.0	5.1	45	105	160	325
TRCN-2820	32.8	45.0	16.4	20.0	5.1	60	130	250	500
TRCN-4015	44.6	59.0	27.5	15.0	5.1	40	100	140	350

Remarks: Other sizes are available upon request if your needs not listed in the catalog