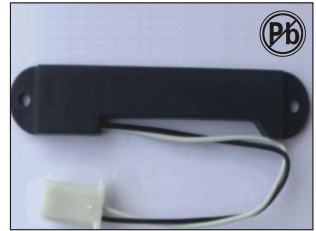


# RFID Low-profile Base-potted Emitter Antenna

## RFID13020A SERIES



### COMMON APPLICATIONS:

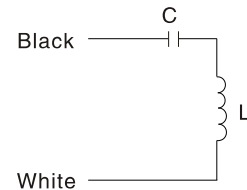
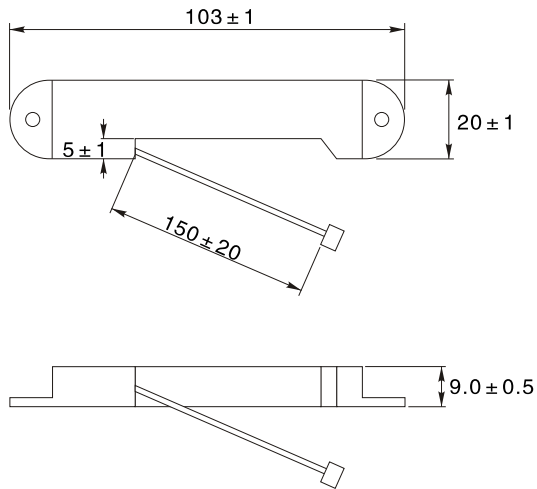
Fit in the car (pasted on the windshield surface, inside the instrument panel, in the trunk of the car, etc.) but should avoid to install on the metal body surface or in a small space surrounded by metal. The sensing distance varies depending on how well the car's internal shielding is

### ELECTRICAL CHARACTERISTICS:

Part Number	Inductance (μH)	Test frequency (KHz)	Capacitance (nF)	Q
RFID10320A-1	500 ± 2%	125	3.3	125
RFID10320A-2	345 ± 2%	125	4.7	125
RFID10320A-3	161 ± 2%	125	10.0	125
RFID10320A-4	426 ± 2%	134.2	3.3	125
RFID10320A-5	300 ± 2%	134.2	4.7	125

### TECHNICAL INFORMATION & PHYSICAL CHARACTERISTICS:

Dimensions(mm)



Note:

- Resonant frequency: 125KHz ± 1.5% @ 25°C
- 125KHz ± 3% @ -40°C to +85°C
- 134.2KHz ± 1.5% @ 25°C
- 134.2KHz ± 3% @ -40°C to +85°C

Induced current: 2.8A Max, Duty 30%

Operating temperature: -40°C to +85°C

Storage temperature: -40°C to +105°C

In addition to the above mass production parameters, can be customized according to customer requirements, including different induction frequency, wire length, terminal type, etc